

# PS2-4000

## Solar Submersible Pump System for 4" wells

### System Overview

Head	max. 120 m
Flow rate	max. 5.9 m³/h

### Technical Data

#### Controller PS2-4000

- Controlling and monitoring
- Control inputs for dry running protection, remote control etc.
- Protected against reverse polarity, overload and overtemperature
- Integrated MPPT (Maximum Power Point Tracking)
- Integrated Sun Sensor

PV Input Power (recommended)	max. 10.50 kW
PV Input voltage	max. 385 V
Optimum Vmp**	> 238 V
Motor current	max. 14 A
Efficiency	max. 98 %
Ambient temp.	-30...50 °C
Enclosure class	IP68

#### Motor ECDRIVE 4000-HRE

- Maintenance-free brushless DC motor
- Water filled
- Premium materials, stainless steel: AISI 304/316
- No electronics in the motor

Rated power	4.0 kW
Efficiency	max. 92 %
Motor speed	900...3,300 rpm
Insulation class	F
Enclosure class	IP68
Submersion	max. 150 m

#### Pump End PE HRE-32\*\*\*

- Non-return valve
- Premium materials, stainless steel: AISI 304/316
- Helical rotor pump

Efficiency	max. 74 %
------------	-----------



#### Pump Unit PU4000 HRE-32 (Motor, Pump End)

Borehole diameter	min. 4,0 in
Water temperature	max. 50 °C

### Standards



2006/42/EC, 2004/108/EC, 2006/95/EC

IEC/EN 61702:1995, IEC/EN 62253 Ed.1

The logos shown reflect the approvals that have been granted for this product family. Products are ordered and supplied with the approvals specific to the market requirements.

\*\*Vmp: MPP-voltage under Standard Test Conditions (STC): 1000 W/m² solar irradiance, 25 °C cell temperature

\*\*\*Specify temperature range on order

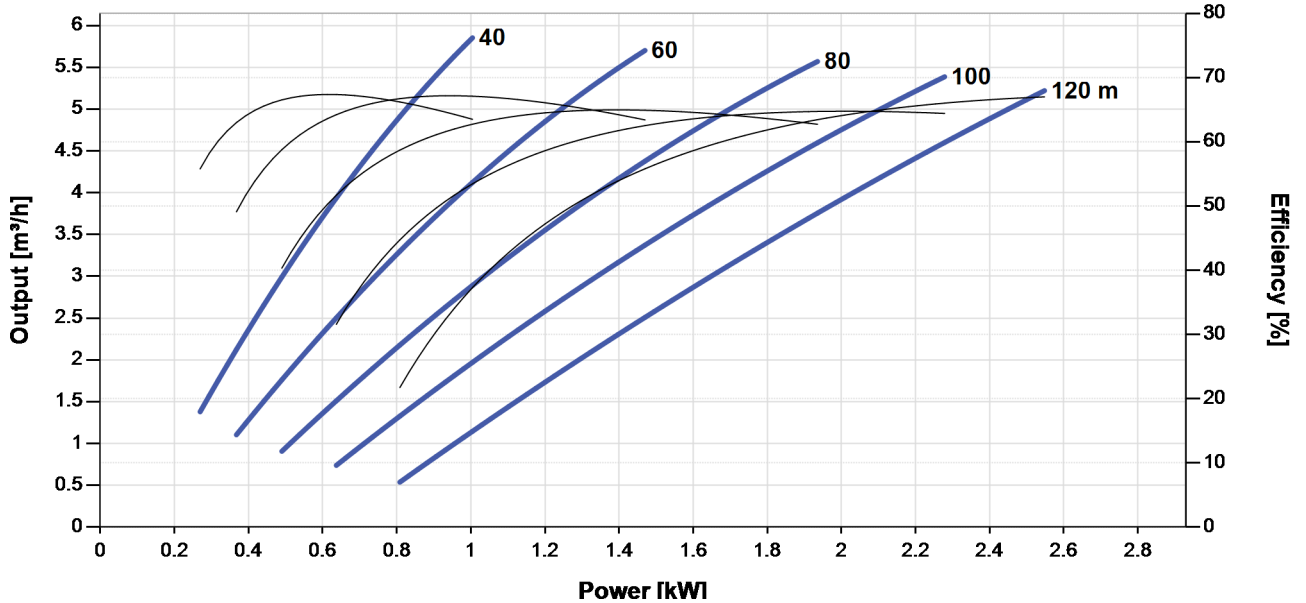


## PS2-4000

Solar Submersible Pump System for 4" wells

### Pump Chart

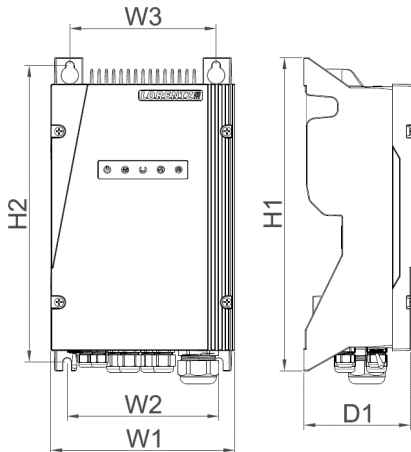
Vmp\* > 238 V



### Dimensions and Weights

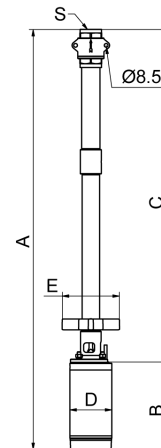
#### Controller

H1 = 352 mm  
H2 = 333 mm  
W1 = 207 mm  
W2 = 170 mm  
W3 = 164 mm  
D1 = 124 mm



#### Pump Unit

A = 1,090 mm  
B = 265 mm  
C = 825 mm  
D = 96 mm  
E = 147 mm  
S = 1.5 in



	Net weight
Controller	6.1 kg
Pump Unit	16 kg
Motor	10 kg
Pump End	5.5 kg

\*Vmp: MPP-voltage under Standard Test Conditions (STC): 1000 W/m<sup>2</sup> solar irradiance, 25 °C cell temperature



# Appendix

## Technical data for PS2 Controller\*

	PS2-150	PS2-200	PS2-600	PS2-1800	PS2-4000
Rated output power	0.3kW	0.3kW	0.7kW	1.8kW	4kW
Rated output current	22A	11A	13A	14A	14A
Start-up voltage	10V	10V	20V	20V	70V
Min. operating voltage	10V	10V	20V	20V	70V
MPPT voltage range	10 to 55V	10 to 110V	20 to 165V	20 to 220V	70 to 385V
Max. input current	20A	10A	15A	15A	15A
Short circuit current	30A	30A	30A	30A	30A
Operating temp. range	-30 to +50° C	-30 to +50° C	-30 to +50° C	-30 to +50° C	-30 to +50° C

\*Designed and engineered in Germany. Manufactured in China.

